

IN-ECO RING BLOWER

INW

ring blower / vacuum pump, single-stage and two-stage, with side channel

USER MANUAL

Thank you for purchasing the INW series ring blower / vacuum pump.
Read this manual carefully before using the product.



INW blowers/pumps comply with the conditions of European Union directive 2002/95/ES issued by the European Parliament and Commission dated January 27, 2003 on the Restriction of the use of certain Hazardous Substances in electrical and electronic equipment.



INW blowers/pumps comply with the European Community directive for mechanical equipment.

CONTENTS

CONTENTS.....	2
1 Definitions.....	3
1.1 General.....	3
1.2 Description of INW blowers/pumps.....	3
2 Safety.....	4
3 Use.....	5
3.1 General.....	5
3.2 Conditions of use.....	5
3.3 Temperature of discharge gases.....	6
4 Installation.....	7
4.1 Handling, moving, transporting.....	7
4.2 Assembly.....	7
4.3 Installation.....	8
5 Operation.....	9
5.1 Start-up.....	9
5.2 Operation.....	9
6 Maintenance.....	9
6.1 Inspection.....	9
6.2 Maintenance.....	10
6.3 Storage.....	10
7 Service.....	10
8 Accessories.....	10
8.1 Air filter.....	10
8.2 Safety valve.....	10
8.3 Manometer.....	11
8.4 Backflow valve.....	11
Recommended installation of the INW blower/pump with accessories:.....	11
9 Waste disposal.....	11
10 Warranty.....	12

For current information about the company and its products, visit www.in-eco.eu.

1 DEFINITIONS

1.1 GENERAL

Manual

This user manual is the intellectual property of IN-ECO, spol. s.r.o. All rights are reserved. The current version of the manual is available at www.in-eco.eu.

Equipment

Within the scope of this manual, equipment or electrical equipment is considered the ring blower or vacuum pump with a side channel.

INW ring blower / vacuum pump

An INW ring blower / vacuum pump is any blower or pump with an INW type side channel, either single-stage or multi-stage. Whether the equipment operates as a blower or pump depends on the connection to the system.

Gas

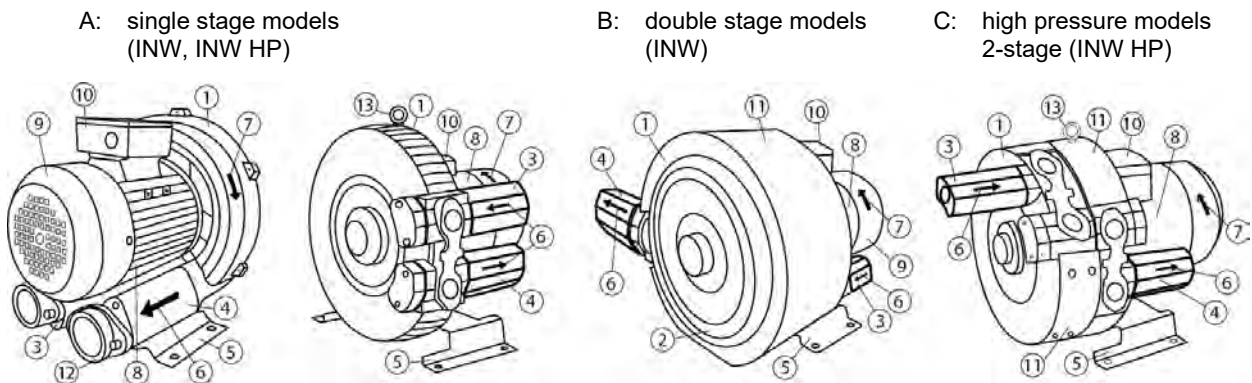
Within the scope of this manual, gas is considered as pure gas or a mixture of gases. In practice, this is usually air.

Authorized IN-ECO service

Within the scope of this manual, authorized IN-ECO service is considered the service center of IN-ECO, spol. s.r.o. For more details (contact information), visit www.in-eco.eu.

1.2 DESCRIPTION OF INW BLOWERS/PUMPS

Fig.1: Assembled INW blowers/pumps



- 1 > Compressor chamber
- 2 > Front cover of blower chamber
- 3 > Suction branch with silencer
- 4 > Discharge branch with silencer
- 5 > Assembly base
- 6 > Arrow indicating the direction of the gas flow
- 7 > Arrow indicating the direction of rotation of the rotor

- 8 > Driving motor
- 9 > Ventilator cover
- 10 > Terminal box
- 11 > Cooling air conducting plate
- 12 > Suction/discharge branch flange
- 13 > Lifting loop

2 SAFETY



Handling the equipment in an unprofessional manner may lead to heavy or even fatal injuries!

Read this manual carefully before performing any operations with the INW ring blower/ vacuum pump. The manual must be absolutely clear. Follow all instructions in this manual and keep it in a visible place near the operated equipment.

The equipment shall only be operated by persons trained to operate it according to this manual and relevant safety regulations.

Personal protective equipment shall be used for all work carried out using the equipment. Do not wear your hair loose or wide, loose clothing.

The equipment must be fully assembled before start-up. Check the following thoroughly: terminal box cover, silencers on the suction and discharge branches and ventilator cover. Do not tamper with the equipment frame. Do not dismantle cover caps or any other structural elements (besides the lifting loop).

Do not remove stickers containing warning and safety information from the equipment.



Risk of electric shock!

Only a qualified electrician can work on the electrical equipment and must observe all relevant standards while doing so.

Prior to starting work on the electrical equipment:

- > disconnect the power supply,
- > ensure the equipment cannot be switched on again,
- > check that the power supply is disconnected,
- > cover or enclose neighboring live parts.

Open the terminal box cover only after you have checked that the power supply has been disconnected.



Risk of injury caused by overpressure or underpressure!

Check pipes, joining and anchoring elements, and valves on a regular basis.

Protect yourself against:

- > sudden heavy gas leaks,
- > hair or clothing being suddenly caught.



Risk of injury caused by rotating parts (external ventilator, rotor, shaft)

The moving rotor is accessible when the suction and discharge branches are open! Do not reach into the equipment through open branches! Do not insert any objects into the equipment through open branches! Prevent access to the rotor via suction and discharge branches! Let the rotor come to a complete stop after stopping the equipment.

The external ventilator cover contains holes in which hair or loose clothing can become caught.

Protect yourself against:

- > cuts, amputated limbs,
- > hair or clothing getting caught



Risk of injury caused by a gas leak!

Check pipes, joining and anchoring elements, and valves on a regular basis.

Protect yourself against:

- > injuries due to compressed/discharged gas leaks (burns).



Risk of injury caused by hot surface and hot medium!

the INW ring blower/ vacuum pump can be very hot. The surface temperature of the warmed-up equipment can exceed 70°C, and in some cases even reach 160°C.

To prevent burns, do not touch the surface of the equipment during operation. Allow the equipment to cool down after stopping.

If necessary, install suitable protection preventing random contact with the hot equipment (protective mesh, perforated plate, etc.).

The compressed medium can be very hot.

Protect yourself against:

- > direct contact with the hot equipment or pipe,
- > injuries due to compressed/sucked gas leaks (burns).



Risk of injury caused by falling or overturned loads!

Observe the safety regulations when operating the equipment and transporting the equipment. Use personal protective equipment. Secure the equipment against unwanted movement, overturning, falling. Do not stand under lifted loads!



Noise emission

The maximum levels of acoustical noise, or the sound power level respectively, measured according to the conditions of the relevant standard, are stated for each piece of equipment at www.in-eco.eu. However, after installing the equipment, the total noise level in the workplace can exceed 85 dB. In this case:

- > designate the zone with an increased noise level,
- > use hearing protection.

3 Use

3.1 GENERAL

This manual applies to the INW ring blower/ vacuum pump with a side channel, single-stage and multi-stage, with a single-phase and three-phase motor. It contains safety information, and instructions for handling, transporting, installation, start-up, operating, maintenance, storage and disposal. The manual must be available at the location in which the equipment is used.

INW the INW ring blower / vacuum pump are used for producing overpressure/vacuum. For specific technical parameters, visit www.in-eco.eu, some of which can also be seen on the equipment label. The technical parameters of the equipment, namely the maximum pressure difference and suction power, stated on the www.in-eco.eu website and on the label are valid under the following conditions (nominal values):

- > ambient temperature: 25°C,
- > temperature of gases sucked in: 15°C,
- > gas pressure for a blower on the suction branch and for a pump on the discharge branch: 1013 mbar (abs).

3.2 CONDITIONS OF USE

Purpose

The INW ring blower / vacuum pump are used for compressing or pumping gases, which are not explosive, flammable, aggressive or poisonous.

The INW ring blower/ vacuum pump are designated for continuous operation. Maximum number of starts per hour: 10.

the INW ring blower / vacuum pump only according to the conditions specified by its parameters, which are also available at www.in-eco.eu. This particularly concerns the ambient temperature and the sucked gas, maximum pressure difference and level of electrical coverage.

Placement

Place the equipment in a well-ventilated area with sufficient air circulation. For outdoor use, place the equipment under a shelter, protecting it against unfavorable weather conditions (rain, snow, direct sunlight, etc.).

Prevent any liquids from entering the equipment. If the pipe to which the equipment is connected discharges into liquid, place the equipment above the level of this liquid. If the equipment must be placed below this level, prevent the reverse suction of liquid (for example, install a siphon on the pipe, install a backflow valve, etc.). If the equipment (blower) is used in water treatment plant operation, place it accordingly to prevent it from drawing in vapors from the water treatment plant, or from sucking in sludge or sludge foam.

Install the equipment in areas with sufficient space to enable its regular maintenance and necessary repairs.

The improper placement or installation can have a negative effect on the service life of the equipment.

Ventilation, cooling

Ventilation and cooling is essential for the proper operation of the equipment. Leave at least 20 cm around equipment placed indoors for natural cooling. When installing on a vertical wall, install the equipment at least 20 cm above the floor.

If necessary (for example, if you use the equipment in a small area or within a soundproof housing), ensure the necessary air circulation (e.g. using a ventilator).

Air (gas) temperature and humidity

The INW ring blower / vacuum pump are designated for use in ambient temperatures ranging from -30°C to +40°C. The optimal ambient operating temperature is 0°C to 25°C. When used in an environment with a temperature exceeding 25°C, you must consider that the maximum pressure difference will be lower. About 10% for a temperature of 40°C.

The maximum temperature of gas drawn in must not exceed 40°C.

The maximum humidity of gas drawn in must not exceed 80%.

Altitude

Air pressure (and humidity) drops with increasing altitude. According to the laws of physics, this affects the blower/pump performance. If you intend to use the equipment at an altitude exceeding 1,000 meters above sea level, consult the consequences with an authorized IN-ECO service center.

! Restrictions !

Do not use INW ring blowers / vacuum pumps for taking in steam, or gas that contains a high volume of dust, charged particles, cellulose and particles larger than 40 µm.

Do not use INW ring blowers / vacuum pumps for compressing or pumping gases, which are explosive, flammable, aggressive or poisonous.

Do not use INW ring blowers / vacuum pumps in areas where explosive gases may emerge.

Do not use INW ring blowers / vacuum pumps for taking in water or other liquids. Prevent any liquids from entering INW blowers/pumps.

3.3 TEMPERATURE OF DISCHARGE GASES

The compression of gas results in an increase in temperature. Temperature increases depending on the pressure difference with each type of equipment. The curves of this dependency are available at www.in-eco.eu. The following tables provide orientation values, separately for ring blowers and vacuum pumps:

Tab. 1: Temperature increase depending on pressure difference – **ring blowers** with side channel:

Pressure difference	Δp [mbar]	100	200	300	400	500	600	700
Single-stage	ΔT [°C]	15-20	30-55	50-80	70-110	90-100		
Double-stage	ΔT [°C]	15-20	25-40	40-60	55-100	75-110	80-120	90-120
High pressure	ΔT [°C]	15-20	25-35	35-40	45-55	55-70	65-90	80-115

Tab. 2: Temperature increase depending on pressure difference – **vacuum pumps** with side channel:

Pressure difference	Δp [mbar]	100	200	300	400	500	600	700
Single-stage	ΔT [°C]	15-22	35-60	80-90	90-120			
Double-stage	ΔT [°C]	15-20	35-50	55-85	90-115	90-120		
High pressure	ΔT [°C]	15-20	30-40	45-50	60-80	80-100	95-120	125

CAUTION

Protect the original product label of the equipment. It contains important information for the proper use, maintenance and service of the equipment. All warranty rights are voided by damaging or removing this label.

4 INSTALLATION

4.1 HANDLING, MOVING, TRANSPORTING

Use sufficient personal protective equipment when handling the equipment. The equipment may have sharp edges. Equipment weighing 30 kg or more includes lifting loops (screwed). Use adequate lifting and handling equipment (pulleys, cranes, etc.). When moving and transporting the equipment, make sure the equipment is sufficiently anchored to avoid unwanted movement, overturning or falling. Incorrectly moving the equipment may lead to damage to property or health.
Do not stand under lifted loads!

4.2 ASSEMBLY

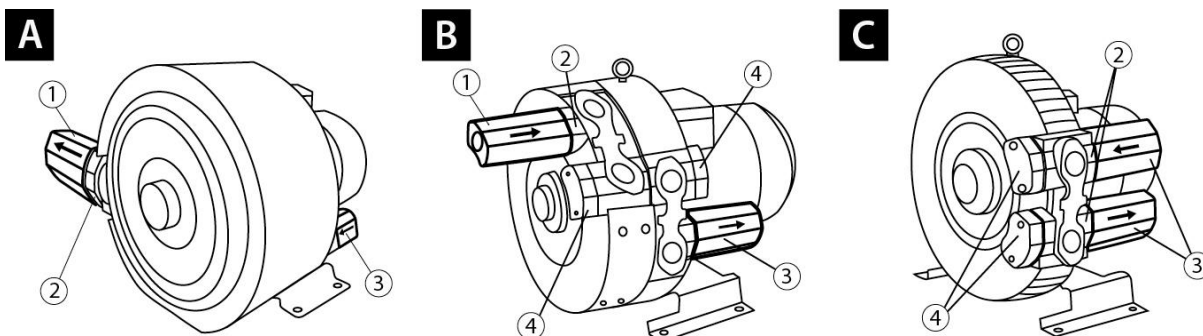
Due to better packaging, some INW ring blower / vacuum pump models (2- and 3-stage) include a dismantled suction or discharge branch with integrated silenced (hereinafter referred to as a branch). Single-stage ring blower / vacuum pump models are usually supplied completely assembled.

Fig.2: Correctly assembled INW blower/pump

A: INW double stage models

B: INW high pressure models

C: INW high pressure models single stage



1 > Branch with silencer (supplied dismantled) 3 > Branch with silencer assembled by the manufacturer
2 > Branch assembly location (non-covered hole) 4 > Cover caps

Differences: Depending on the model, besides the branch, the flange between the compression chamber and the branch itself can be dismantled. Some models can also have joining (internal) threading on an independent flange, which is then mounted to the free branch end.

Branch assembly (valid only for models supplied with dismantled branch):

Unpack the supplied branch with seals and screws, or flanges. If the flange is also dismantled, assemble it onto the non-covered hole <2> first. Use the provided screws to attach the dismantled branch <1> to the flange (non-covered). Apply the relevant seals during assembly. Do not remove the branch <3> supplied by the manufacturer. Do not remove any potential cover caps <4>. Other connections are not permitted. If you are uncertain about anything, contact the authorized IN-ECO service center.

Branches have plastic covers to prevent foreign objects from penetrating the blower. Remove covers directly before connecting the pipe or hose. Keep them for future use, for example, during maintenance. Branches have an internal thread, the dimensions of which are available at www.in-eco.eu.

4.3 INSTALLATION

Mechanical

Install the equipment on a solid foundation or solid base. The equipment can be installed either horizontally or vertically (according to the orientation of the base). Use binding material with sufficient solidity to anchor the equipment to the base and secure to avoid spontaneous loosening. The lifting loop can be dismantled after installation.

Electrical

Only a qualified electrician can work on the electrical equipment and all relevant standards must be observed while doing so. Connect the INW blower/pump to a power supply according to the specifications stated in the catalog sheets also available on the www.in-eco.eu website. The equipment is supplied without connecting electric wires. Use electrical wires of the proper strength (section) according to the electrical specifications for the specific blower/pump stated in the catalog sheets on the www.in-eco.eu website. The wiring diagram is on the cover of the terminal box. First, connect the grounding wire correctly. Make sure to protect against short circuits and equipment overloading. Install a protective motor switch (motor circuit-breaker) to protect the motor against overloading. Set the switch to the nominal current stated on the equipment label. We recommend using motor circuit-breakers, which switch the motor off with a certain time delay, with respect to potential short-term excess current. Current greater than the nominal current can flow through the equipment for a short period during a cold start.

Check the wiring connection before permanently connecting the equipment.

Start the equipment for a short period and compare the direction of rotation with the direction indicated on the motor ventilator cover. If necessary, change the wiring connection until the direction of the rotor rotation is the same as the direction shown by the arrow on the motor ventilator cover. You can see the actual direction of rotation when stopping the equipment and viewing the motor ventilator through the screen on the cover.

Pipes

The connection pipes should be 1.5 times the dimension of the equipment branch. The system pressure resistance (pressure losses) is increased for pipes that are excessively narrow or long. This increases the demands on the gas (air) source and also increases power consumption. Choose a material for the pipe that can withstand a gas temperature that can be achieved during operation (compression). In some cases, the difference in gas (air) temperatures can exceed 100°C (section 3.3. Temperature of discharge gases).

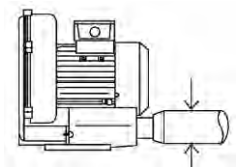
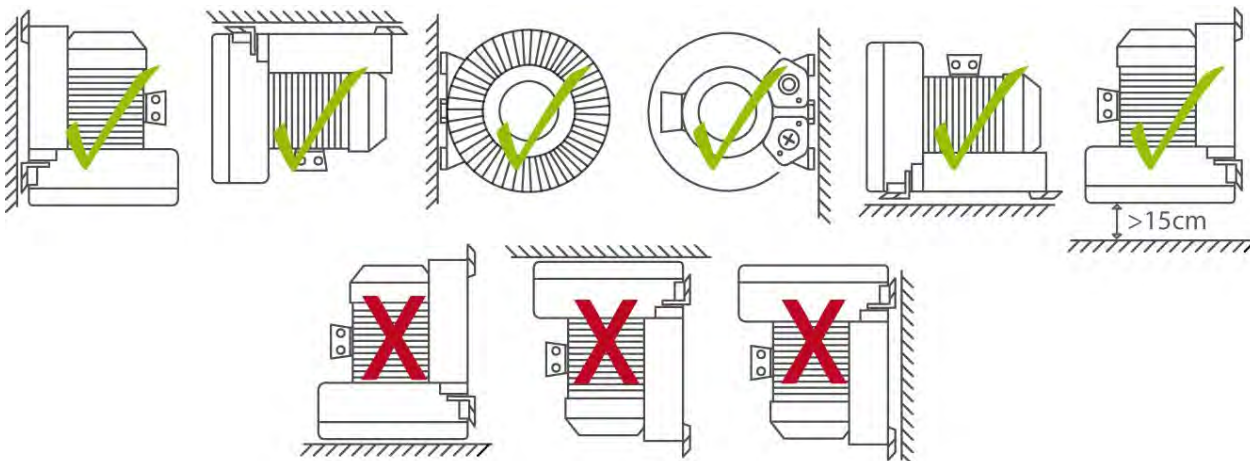


Fig. 3: Pipes

Installation options



5 OPERATION

5.1 START-UP

Check the following prior to the equipment start-up:

- > the complete and proper assembly of the blower/pump,
- > electrical wiring,
- > tightness of all connected pipes, or hoses,
- > opened close valves on the suction or discharge pipes,
- > correct direction of the gas flow, or direction of the rotor rotation.

The air flow direction is indicated on the suction or discharge branch.

5.2 OPERATION

INW ring blowers / vacuum pumps are designated for continuous operation. Observe the operating conditions stated in this manual, particularly section 2 Safety, with emphasis on ambient temperature and gas drawn in. For interrupted operation, do not exceed the maximum number of starts per hour, which the manufacturer has determined as 10.

Prevent any liquids or solid objects from entering the equipment. Use an air filter with a permeability less than 40 µm.

The maximum possible pressure difference in the system must not be greater than the maximum pressure difference of the equipment stated in the catalog sheet on the www.in-eco.eu website or on the product label. Otherwise the equipment is critically overloaded. The common operating pressure in the system should be at least 10% lower than the maximum working pressure on the product label or catalog sheet of the equipment.

6 MAINTENANCE

6.1 INSPECTION

Check the INW blower/pump and associated pipes, gas (air) distribution system on a regular basis. In particular, inspect the temperature of the equipment and gas drawn in, as well as the gas pressure in the pipes. Check the setting of dust and remove dust which could limit ventilation or cooling.

Operated electrical equipment should be checked and inspected by a qualified employee on a regular basis, at the latest within the terms specified by the relevant standard.

If you encounter any unexpected noise or rough motor operation, disconnect the equipment from the power supply and check its state. Repairs shall be given to authorized IN-ECO service centers.

6.2 MAINTENANCE

Disconnect the equipment from the power supply to avoid electric shock. Ensure the equipment will not repeatedly start upon reconnection to the power supply. Do not perform maintenance work if the equipment is heated up to operating temperature.

Check and replace the following regularly:

- > air filter in the intervals specified by the supplier,
- > bearings* in the equipment.

*) The minimum service life of bearings is 15,000 operating hours, providing the operating conditions are respected. The replacement of bearings shall be given to authorized IN-ECO service centers. Keep the report from the bearings replacement.

When disconnecting the equipment from the pipes, close the suction and discharge branch with a plastic cover, which was supplied or in some other manner. During maintenance, prevent any objects from entering the blower or pipes.

After maintenance, or repair, prior to start-up, proceed according to the instructions in section 5.1 Start-up.

6.3 STORAGE

Keep the INW blowers/pumps in a dry environment with normal air humidity. For a relative humidity of 80% or higher, store in a closed package with a drying agent.

7 SERVICE

Repairs shall only be carried out by an authorized IN-ECO service center during the warranty period. All warranty rights are forfeited if the equipment is tampered with during the warranty period. Have an authorized IN-ECO service center service INW ring blowers / vacuum pumps after the warranty has expired.

8 Accessories

Use original accessories with INW blowers/pumps with side channel. Contact the authorized IN-ECO service center for the specifications and supplies of accessories (for example: air filters, safety valves, manometers, backflow valves, flowmeters).

8.1 AIR FILTER

The air filter should be installed as close to the suction branch as possible to protect the equipment against solid objects, dust, cellulose, etc. Do not start the equipment without an air filter. The filter should not let particles larger than 40 µm through. Use a filter with sufficient capacity so the pressure loss is adequate.

Original air filter

The air filter (filtration insert) must be cleaned no later than after 250 operating hours and the filtration insert replaced no later than after 3,000 operating hours. The authorized IN-ECO service center will supply the filtration insert.

Removal:

- a) blower filter / unscrew the wing nut. Remove the protective cover and take out the filtration insert.
- b) pump filter / release the closing pins of the filter lid. Remove the filter lid and take out the filtration insert.

Clean the filtration insert (blow and manually dust) and replace if necessary.

Assembly: in reverse order.

The filtration insert of the air filter must be cleaned or replaced more frequently depending on the level of medium impurity. Performance becomes impaired with insufficient maintenance of the air filter and with it the service life is shortened.

8.2 SAFETY VALVE

Install a safety valve to prevent from overloading the equipment and subsequently shortening its service life. The safety valve must be configured for the maximum working pressure. This way the equipment will be pro-

ected against overloading. (The maximum working pressure is usually 7-15% lower than the maximum pressure stated on the product label.)

8.3 MANOMETER

Install a manometer for the purpose of fundamental pressure ratio diagnostics.

8.4 BACKFLOW VALVE

A backflow valve can be installed to increase the protection of the equipment against the reverse suction of liquid into the equipment.

RECOMMENDED INSTALLATION OF THE INW RING BLOWER / VACUUM PUMP WITH ACCESSORIES:

The diagram of the recommended (single-stage) INW blower/pump with accessories is shown on figures:

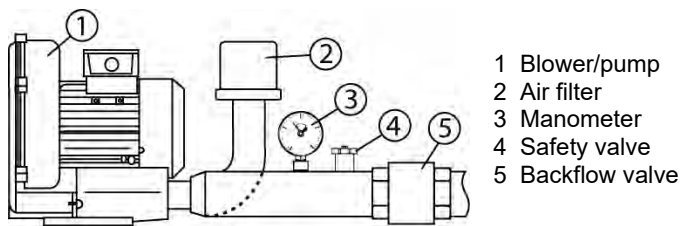


Fig. 4: Blower with accessories

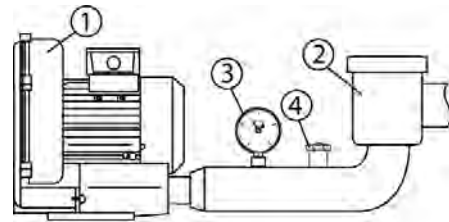


Fig. 5: Pump with accessories

9 WASTE DISPOSAL

Valid waste management legal regulations must be observed for proper waste disposal.



10 Warranty

Providing the warranty conditions are respected, IN-ECO provides a 2 year warranty on INW ring blowers / vacuum pumps.

Warranty conditions

- > The equipment must be used (installed and operated) in accordance with this manual.
- > Repairs shall only be carried out by an authorized IN-ECO service center during the warranty period.
- > All warranty rights are forfeited if the equipment is tampered with during the warranty period.
- > The replacement of wear items including, but not limited to, seals, bearings, couplings, exhaust cover gaskets etc., made in connection with normal service are not covered by this Warranty.

The following must be included when returning the INW ring blower/ vacuum pump:

1. sales receipt (warranty),
2. description of how the equipment is used and the issue,
3. contact information: address, phone number, e-mail, etc.

Equipment returned or submitted for repair must be delivered clean.

Costs on transporting the equipment to the authorized IN-ECO service center and back to the customer are covered by the customer.

The warranty expires:

- > if the conditions of installation and equipment operation are not observed,
- > if the required maintenance is not respected,
- > if the warranty conditions are not respected,

THANK YOU

Thank you for purchasing the INW series ring blower / vacuum pump. We hope you will be satisfied. Do not hesitate to contact us if you have any questions.